

SI-422 Series Vibration Sensor

Submersible, 4-20mA 'g' Sensor for PLC Interface



Typical Applications

- Low cost on-line means of monitoring with the capability of interfacing direct into PLC, BMS or any 4-20mA input module.
Proven use in vibration monitoring for offline applications using commercially available data collectors.
- **Protecting...**
Fans, Motors, Pumps, Compressors, Centrifuges, Conveyers, Air Handlers, Gearboxes, Rolls, Dryers, Presses, Cooling, HVAC, Spindles, Machine Tooling, Process Equipment and many more.

Technical Performance

Mounted Base Resonance	10 kHz min.
Acceleration Ranges	0-1 to 0-100 g RMS \pm 10% Nominal 80 Hz at 22 °C
Frequency Response	10 Hz to 5 kHz at \pm 5% -ISO10816
Isolation	Base isolated
Measurement Range	50 g peak
Transverse Sensitivity	Less than 5%

Electrical

Output Current	4-20 mA DC proportional to 'g'
Supply Voltage	15 - 30 Volts DC (for 4-20 mA)
Settling Time	2 seconds
Output Impedance	Loop Resistance 600 Ohms max. at 24 Volts
Case Isolation	$>10^8$ Ohms at 500 Volts

Environmental

Operating Temperature Range	-25 to 90 °C
Sealing	IP68
Maximum Shock	5000 g
Emissions	EN61000-6-4:2001
Immunity	EN61000-6-2:1999

Mechanical

Case Material	Stainless Steel
Sensing Element/Construction	PZT/Compression
Mounting Torque	8 Nm
Weight	140 gms (nom)
Cable	Blue Silicon - length to be specified on order
Mounting Threads	See 'How to order' table
Submersible Depth	100 Metres max. (10 bar)
Options	Ranges, filters, other cable lengths, intrinsically safe



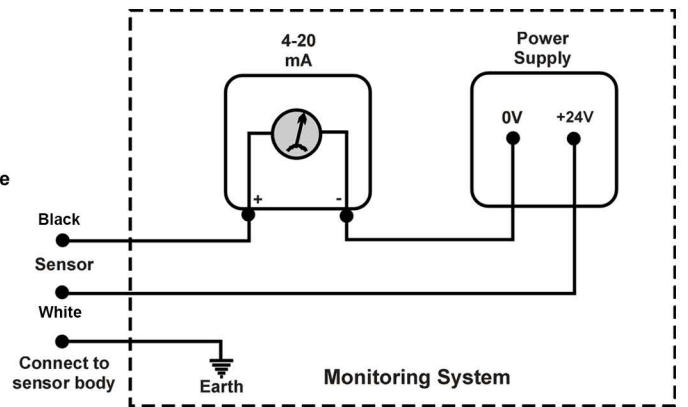
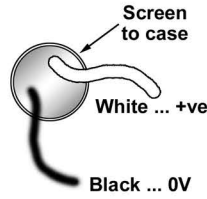
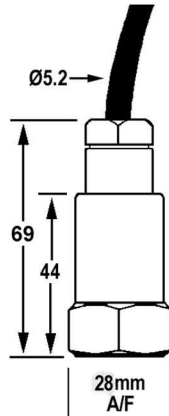
SPECTRUM
INSTRUMENTS LTD.

44 Forest Drive, Brighton, On K0K 1H0 Canada
P: 1-613-439-8767
F: 1-866-782-0106
E: info@spectrum-instruments.com
W: www.spectrum-instruments.com

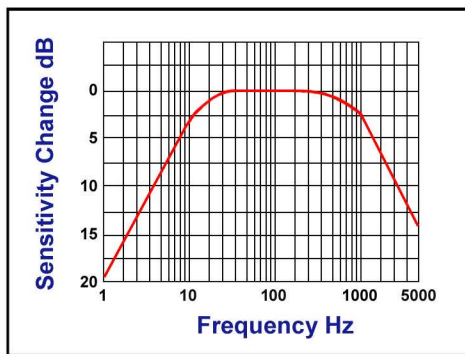
PRODUCT DATA

SI-422 Series Vibration Sensor

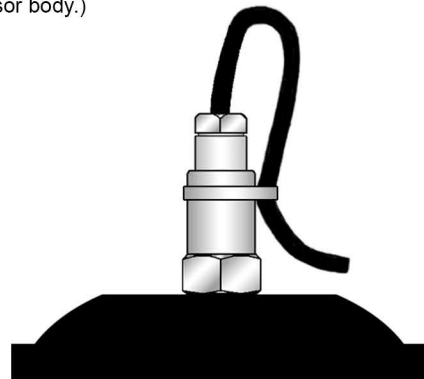
Dimensions



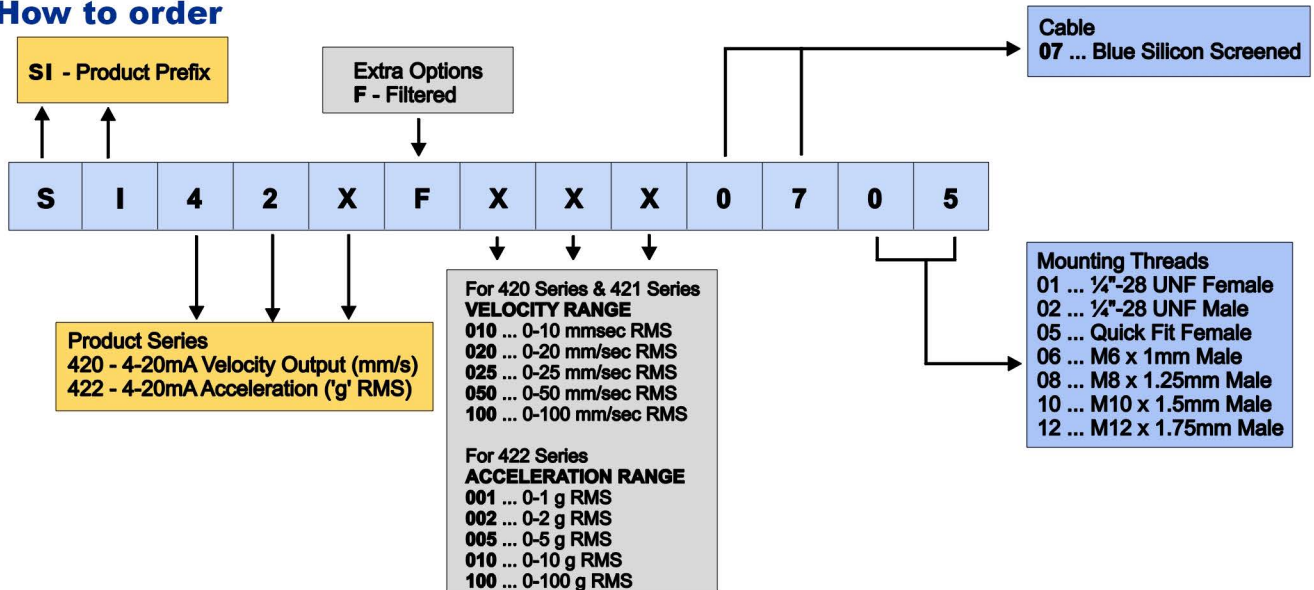
Frequency Response



Mounting of sensor to achieve good repeatable readings. Vibration sensor should be firmly fixed to a flat surface (spot face surface may be needed to be produced and cable anchored to sensor body.)



How to order



Please contact our Sales Office for information on sensor accessories (mounting studs, etc) and multichannel switch boxes.