

SI-100S Accelerometer

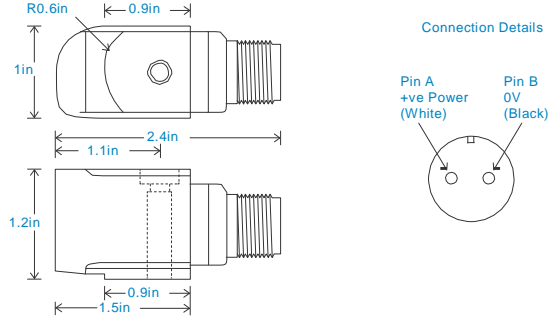
AC acceleration output via 2 Pin MS Connector

Key Features

- For use with data collector
- Side entry for easy access
- Customizable features

Industries

Building services, Pulp and Paper,
Mining, Metals, Utilities, Automotive,
Water, Pharmaceutical



Technical Performance

Mounted Base Resonance	see 'How To Order' table (nominal)
Sensitivity	+/- 5% or +/-10% Nominal 80Hz at 72°F
Frequency Response	120cpm (2Hz) to 600kcpm (10kHz) ± 5% 90cpm (1.5Hz) to 720kcpm (12kHz) ± 10% 48cpm (0.8Hz) to 900kcpm (15kHz) ± 3dB
Isolation	Base isolated
Range	see: 'How To Order' table
Transverse Sensitivity	Less than 5%

Mechanical

Case Material	Stainless Steel
Sensing Element/Construction	PZT/Compression
Mounting Torque	5.9ft. lbs
Mounting Bolt provided	see: 'How To Order' table x 1.2in long
Weight	6.5 oz. (nominal)
Shielded Cable Assembly	see: www.hansfordsensors.com for options
Connector	SI-AA004 - non-booted SI-AA053 or SI-0054 - booted
Mounting Threads	see: 'How To Order' table

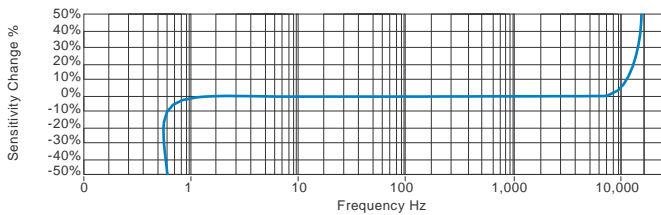
Electrical

Electrical Noise	0.1mg max
Current Range	0.5mA to 8mA
Bias Voltage	10 - 12 Volts DC
Settling Time	2 seconds
Output Impedance	200 Ohms max.
Case Isolation	>10 ⁸ Ohms at 500 Volts

Environmental

Operating Temperature Range	-67 to 284°F
Sealing	IP68
Maximum Shock	5000g
EMC	EN61326-1:2013

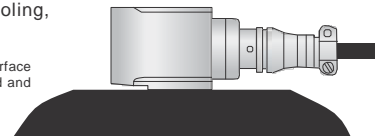
Typical Frequency Response (at 100mV/g)



Applications

Fans, Motors, Pumps, Compressors,
Centrifuges, Conveyors, Air Handlers,
Gearboxes, Rolls, Dryers, Presses,
Cooling, VAC, Spindles, Machine Tooling,
Process Equipment

Vibration sensor should be firmly fixed to a flat surface (spot face surface may be needed to be produced and cable anchored to sensor body.)



How To Order

Product Prefix SI - Spectrum Instr.	Product Series 100 - Industrial Vibration Sensor	Cable Length (if integral cable) UXX - length specified in feet												
S	I	1	0	0	S	X	X	X	X	X	X	X	X	X
Extra Options (if required) F - Filtered L - 316L Stainless Steel RT - Temperature Output PT100 S - 90° Side Exit T - Temperature Output Y - 5% tolerance on sensitivity		Sensitivity 010 - 10mV/g ±800g 030 - 30mV/g ±250g 050 - 50mV/g ±160g 100 - 100mV/g ±80g 250 - 250mV/g ±32g 500 - 500mV/g ±16g	Range ±800g ±250g ±160g ±80g ±32g ±16g	Resonant Frequency 1,620kcpm (27kHz) 1,500kcpm (25kHz) 1,380kcpm (23kHz) 1,260kcpm (21kHz) 1,140kcpm (19kHz) 1,020kcpm (17kHz)	Cable/Connector 01 - PUR 02 - Braided 07 - Silicon 08 - Flame Retardant 50 - 2 Pin MS 54 - M12	Mounting Threads 02 - ¼-28" UNF Male 06 - M6 x 1mm Male 08 - M8 x 1.25mm Male								



www.spectrum-instruments.com
info@spectrum-instruments.com

We reserve the right to alter the specification of this product without prior notice

